



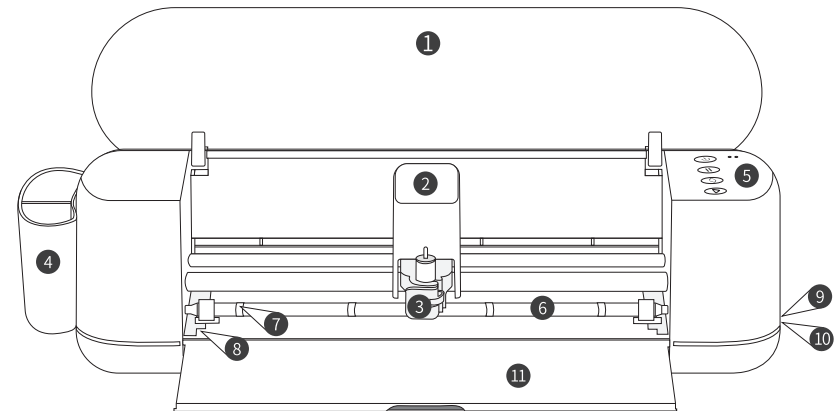
User Manual OF HTVRONT C2 Cutting Machine

Included in the Box

Thank you for purchasing HTVRONT C2 Cutting Machine. Before using this product for the first time, please read this user manual carefully and keep it for future reference.

• HTVRONT C2 Cutting Machine x 1	• Power Adapter x 1
• Fine-point Blade Housing x 1	• HTVRONT Cutting Mat (Standard Grip) x 1
• Fine-point Blade x 2	• Heat Transfer Vinyl (Sample) x 1
• Pen Housing x 1	• User Guide Envelope x 1
• Pen x 1	• Hook Weeder x 1
• USB Cable x 1	
• 18,000+ Free Designs in the LOKLIK IdeaStudio™ (App: LOKLIK)	

Machine Overview



*Supported Tool Housings:
Fine-point Blade, Deep-point Blade, Foil Transfer Tip, and Pen Housings.
(Note: The Pen Housing is applicable for Pen and Scoring Stylus.)

1. Top Lid	5. Buttons	9. USB Port
2. Tool Holder	6. Material Guide	10. Power Port
3. Tool Clamp	7. Silicone Ring	11. Front Tray
4. Removable Storage Cup	8. Cutting Mat Slot	

Details of Buttons

Tool Installation



Power: Long press the "Power" button to turn the machine on or off.



Pause: Press the "Pause" button to pause or continue the task.



Load/Unload: Press the "Load/Unload" button to load or unload the cutting mat and materials. (Note: You need to clear the ongoing tasks in the LOKLiK IdeaStudio™ before unloading the material. Do NOT pull out the cutting mat directly.)

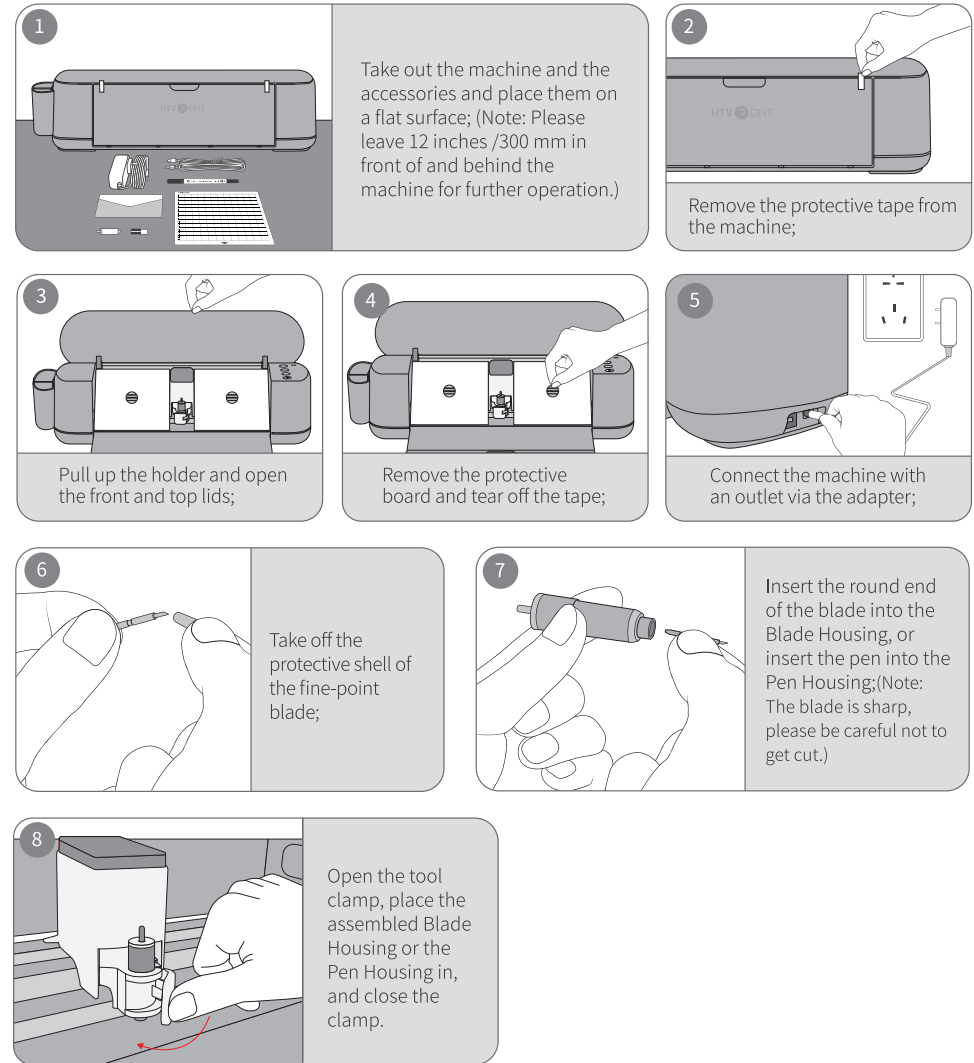


Restart: You can start a new task when the "Restart" button flashes white.

*The last three button functions can also be performed in the LOKLiK IdeaStudio™.

Details of Indicator Lights

Buttons/Indicator Lights	Color	Status
USB Light	Green	The machine is connected via USB.
Bluetooth Light	Blue	The machine is connected via Bluetooth.
	Flash Blue	The machine is ready to update firmware.
Power	White	The machine is powered on.
Pause	White	The task has been paused.
Load/Unload	White	The material has been loaded successfully;
		The machine is executing the task.
Restart	Flash White	The machine is ready for the next task.

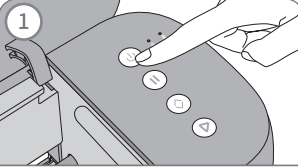


Check more step-by-step tutorial videos here: www.loklik.com/tutorialvideos.
LOKLiK IdeaStudio™ Download Link: <https://loklik.com/download>
If you have any questions or concerns, please check our official website: www.htvrnt.com.

Instructions for Use

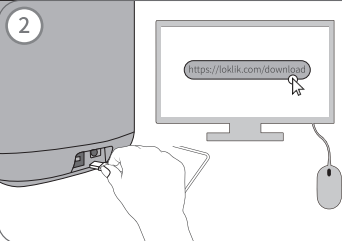
Machine Calibration

1



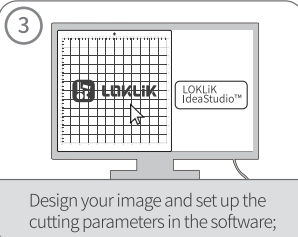
Power on the machine, and press the "Power" button to turn it on;

2



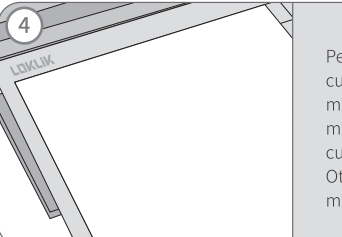
Download the software LOKLiK IdeaStudio™ on your computer (or the app LOKLiK on your phone), open and connect it to the machine via Bluetooth or USB;

3



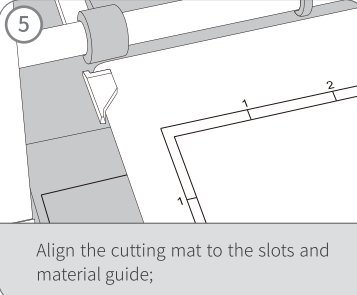
Design your image and set up the cutting parameters in the software;

4



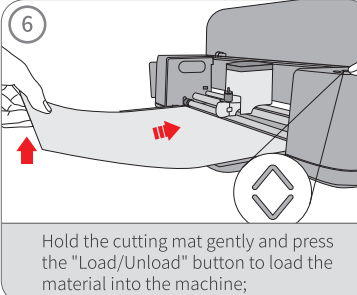
Peel off the clear film from the cutting mat and stick the material on it; (Note: Please make sure the material's cutting side is facing up. Otherwise, the blade and the machine will get damaged.)

5



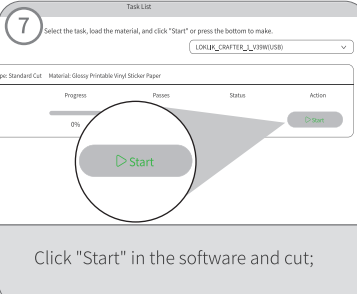
Align the cutting mat to the slots and material guide;

6



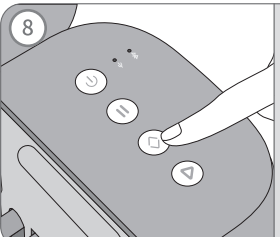
Hold the cutting mat gently and press the "Load/Unload" button to load the material into the machine;

7



Click "Start" in the software and cut;

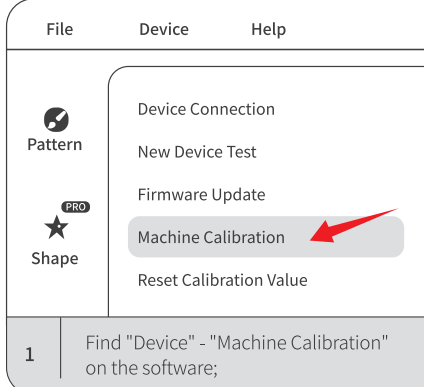
8



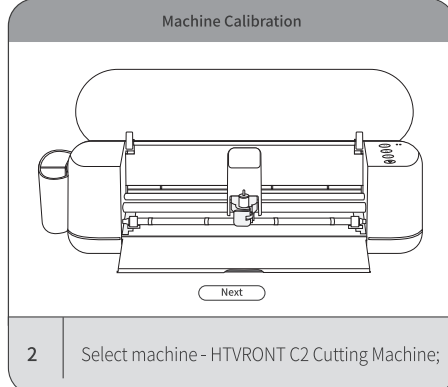
After cutting, press the "Load/Unload" button to unload the material.

Print-then-Cut Calibration

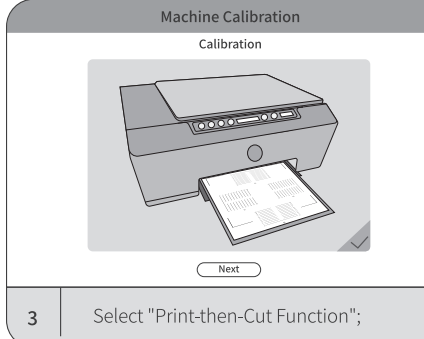
To further optimize the precision of print-then-cut performance, it's recommended to do the calibration following the steps below.



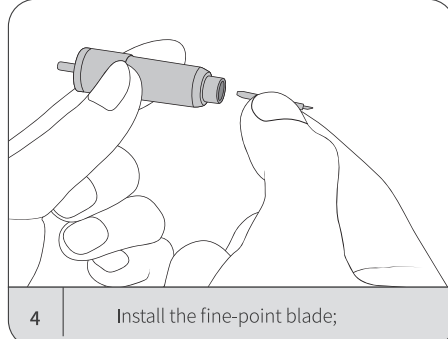
1 Find "Device" - "Machine Calibration" on the software;



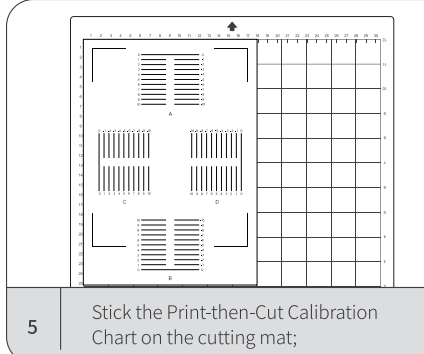
2 Select machine - HTVRONT C2 Cutting Machine;



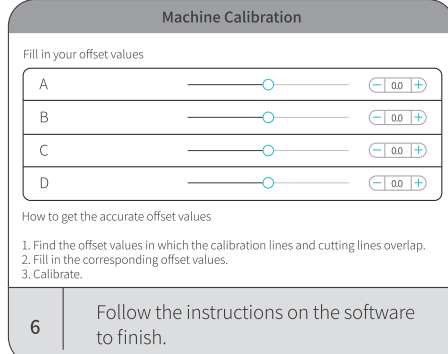
3 Select "Print-then-Cut Function";



4 Install the fine-point blade;



5 Stick the Print-then-Cut Calibration Chart on the cutting mat;



6 Follow the instructions on the software to finish.

Fill in your offset values

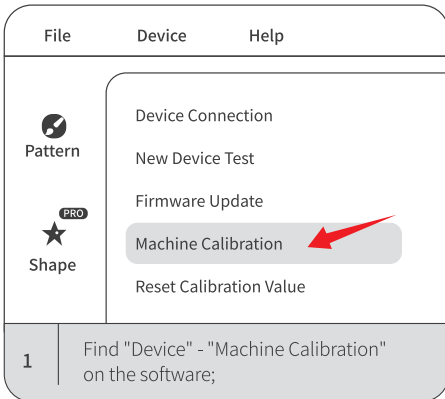
A	<input type="text" value="0.00"/>	<input type="text" value="0.00"/>
B	<input type="text" value="0.00"/>	<input type="text" value="0.00"/>
C	<input type="text" value="0.00"/>	<input type="text" value="0.00"/>
D	<input type="text" value="0.00"/>	<input type="text" value="0.00"/>

How to get the accurate offset values

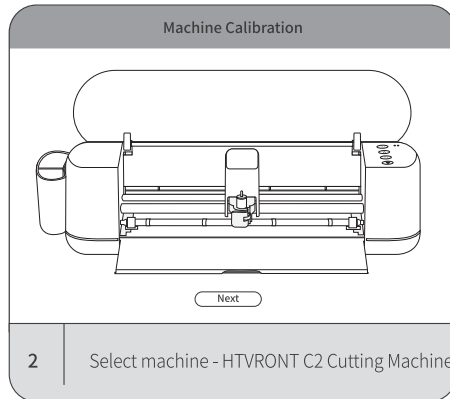
1. Find the offset values in which the calibration lines and cutting lines overlap.
2. Fill in the corresponding offset values.
3. Calibrate.

Cutting Force Calibration

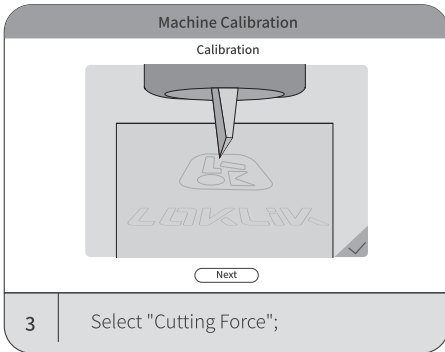
To further improve the successful rate of cutting results, it's recommended to do the cutting force calibration following the steps below.



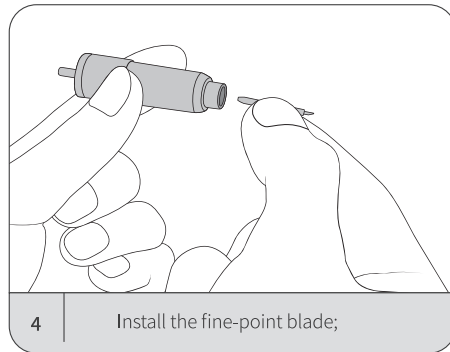
1 Find "Device" - "Machine Calibration" on the software;



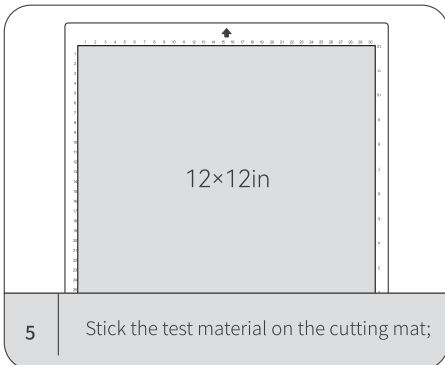
2 Select machine - HTVRONT C2 Cutting Machine;



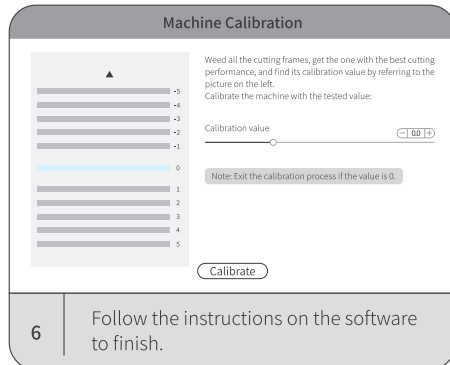
3 Select "Cutting Force";



4 Install the fine-point blade;



5 Stick the test material on the cutting mat;



6 Follow the instructions on the software to finish.

To reduce the risk of electric shock, this product has a polarized plug (one blade is wider than the other). This plug is intended to fit in a polarized outlet only one way. When the plug does not fit fully in the outlet, reverse the plug. When it still does not fit, contact a qualified electrician to install the proper outlet. Do not change the plug in any way.

Close supervision is required when this product is used near children.

HOUSEHOLD USE ONLY.

DO NOT IMMERSE IN WATER.

When the appliance provided with a power-supply cord that is less than 4 - 1/2 feet (1.4 m) long shall be provided with instructions that include the following information:

- a) A short power-supply cord (or short detachable power-supply cord) is provided to reduce the risks resulting from becoming entangled in or tripping over a longer cord;
- b) Extension cords (or longer detachable power-supply cords) are available and are not prohibited from being used when care is exercised in their use;
- c) When an extension cord is used.
 - 1) The marked electrical rating of the detachable power-supply cord or extension cord shall be no less than the marked electrical rating of the product;
 - 2) The longer cord shall be arranged so that it does not drape over the counter-top or tabletop where it is capable of being tripped over, snagged, or pulled on unintentionally, especially by children.

- 1. Do NOT use this product outdoors. It's ONLY for household use;
- 2. You can only use this product on a flat, stable, and heat-resistant surface;
- 3. Please hold the main part of the adapter firmly when unplugging the adapter. Do NOT pull the adapter cord directly;
- 4. Please unplug the adapter after use and before cleaning the product;
- 5. Keep your hands, head, and hair away from the machine while cutting, especially away from the moving parts;
- 6. Do NOT move the Tool Holder manually, or it will cause damage to the machine;
- 7. If the product is malfunctioning or damaged, please stop using the product immediately and contact LOKLIK Cutting Machine's customer service;
- 8. Children under 14 MUST have adult supervision while using the machine.

FCC Warning

FAQs

This device complies with part 15 of the FCC Rules. Operation is subject to the following two conditions: (1) This device may not cause harmful interference, and (2) this device must accept any interference received, including interference that may cause undesired operation.

Any changes or modifications not expressly approved by the party responsible for compliance could void the user's authority to operate the equipment.

This equipment has been tested and found to comply with the limits for a Class B digital device, pursuant to part 15 of the FCC Rules. These limits are designed to provide reasonable protection against harmful interference in a residential installation. This equipment generates uses and can radiate radio frequency energy and, if not installed and used in accordance with the instructions, may cause harmful interference to radio communications. However, there is no guarantee that interference will not occur in a particular installation. If this equipment does cause harmful interference to radio or television reception, which can be determined by turning the equipment off and on, the user is encouraged to try to correct the interference by one or more of the following measures.

- Reorient or relocate the receiving antenna;
- Increase the separation between the equipment and the receiver;
- Connect the equipment to an outlet on a circuit different from that to which the receiver is connected;
- Consult the dealer or an experienced radio/TV technician for help.

Specifications

HTVRONT C2 Cutting Machine	
Model: CMB01	Output Voltage: DC 24V 1.5A
Brand: HTVRONT	Power Consumption: 36 W
Input Voltage: AC 100V - 240V~ 50/60 Hz	Size: 51.5 x 14.0 x 14.5 cm (20.3 x 5.5 x 5.7 in)
Cutting Material Size: 12 x 12 in, 12 x 24 in, 13 x ∞ in	
Software System Requirement: Windows 10 or later, macOS 11 or later	

Q1: What to do if my machine cannot turn on?

- A1: Make sure the machine is powered on;
- A2: Short press the "Power" button once to turn it on;
- A3: Update the machine's firmware to the latest version via LOKLiK IdeaStudio™;
- A4: Contact HTVRONT C2 Cutting Machine's customer service if the above steps don't work.

Q2: How to connect the machine via Bluetooth successfully?

- A1: Make sure the machine is powered on;
- A2: Make sure your device's Bluetooth is turned on;
- A3: Make sure the machine is within 5 meters of your device.

Q3: How to get a successful cutting result?

- A1: Make sure you have installed the right blade;
- A2: Make sure you have set up the cutting material and parameters correctly;
- A3: Make sure the Blade Housing is installed correctly and firmly;
- A4: Make sure the material on the mat is flat and secured;
- A5: When using Heat Transfer Vinyl or Permanent Vinyl, make sure the cutting side is facing up;
- A6: It is recommended to cut material thinner than 2 mm;
- A7: Calibrate the machine's cutting force in the LOKLiK IdeaStudio™ if the above steps don't work.

Q4: How to get a successful Print-then-Cut result?

- A1: Make sure the material is placed properly in the printer tray when printing;
- A2: Make sure the registration mark is clear after printing;
- A3: Stick and align the material on the left corner of the cutting mat;
- A4: Make sure the material on the mat is flat and secured;
- A5: Hold the cutting mat gently by hand when loading materials.

Q5: What to do if the Print-then-Cut function performs poorly?

- A1: Calibrate the Print-then-Cut function in the LOKLiK IdeaStudio™ first;
- A2: Make sure the silicone ring aligns with the registration marks on the material when loading;
- A3: Make sure the cutting mat is clean;
- A4: Make sure the material on the mat is flat and secured;
- A5: Align the edge of the cutting mat to the right slot closely when loading materials.

Q6: What to do if I cannot find my material's cutting parameter in the software?

- A1: Try the matching cutting parameter of similar material in the software (Recommend Cutting Thickness: ≤2 mm);
- A2: Customize a proper cutting parameter for your material as needed.

Q7: Why can't my material stick firmly on the cutting mat?

- A1: Make sure the cutting mat is clean;
- A2: Replace a new cutting mat.

Q8: How to update the firmware successfully?

- A1: For computer: Connect the machine via USB and follow the instructions in the LOKLiK IdeaStudio™;
- A2: For mobile devices: Connect the machine via Bluetooth and follow the instructions in the LOKLiK app.

If you have more questions, please check our official website: <https://www.loklik.com/app-help>.

HTVRONT C2 Cutting Machine Limited Warranty

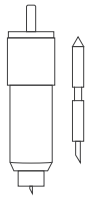
The warranty period of this machine is one year from the date of purchase. Other HTVRONT accessories are guaranteed for free within three months from the date of purchase. Warranty service is available when there's a malfunction in normal use during the warranty period. If consumers need warranty service, they need to provide proof of purchase.

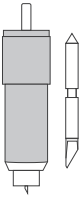
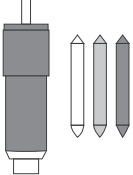

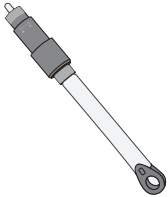
To the extent permitted by applicable laws, HTVRONT is not responsible for the warranty in the following situations: malfunctions caused by improper use, maintenance, and storage by consumers; malfunctions caused by self-repair or dismantling by those who do not undertake the three-guarantee repair without the permission of our company; products that can continue to be used after repair when the warranty expired; damage caused by force majeure. Meanwhile, HTVRONT disclaims all implied and legal warranties, including warranties of merchantability and fitness for a particular purpose. The warranties that are allowed to be denied are for the duration of this warranty.

Proof of purchase may be required to verify warranty eligibility.

Quick Reference Chart

Tools	Materials	Cutting Parameters
 Fine-point Blade	Heat Transfer Vinyl Pure Heat Transfer Vinyl Glitter Heat Transfer Vinyl Chameleon Heat Transfer Vinyl Pattern Heat Transfer Vinyl Reflective Heat Transfer Vinyl Flock Heat Transfer Vinyl Glow-in-the-Dark Heat Transfer Vinyl Puff Heat Transfer Vinyl Smart Pure Heat Transfer Vinyl (No Cutting Mat Needed) Smart Glitter Heat Transfer Vinyl (No Cutting Mat Needed)	You can find the corresponding cutting parameters in LOKLiK IdeaStudio™.

Tools	Materials	Cutting Parameters
 Fine-point Blade	Permanent Vinyl Glossy Permanent Vinyl (Paper Carrier) Matte Permanent Vinyl (Paper Carrier) Glossy Permanent Vinyl (Plastic Carrier) Matte Permanent Vinyl (Plastic Carrier) Rainbow Permanent Vinyl Cold Color-changing Permanent Vinyl Matte Metallic Permanent Vinyl Shimmer Permanent Vinyl Chameleon Permanent Vinyl Holographic Glitter Permanent Vinyl Chrome Permanent Vinyl Holographic Permanent Vinyl (Plastic Carrier) Stencil Vinyl Smart Permanent Vinyl (No Cutting Mat Needed)	You can find the corresponding cutting parameters in LOKLiK IdeaStudio™.
	Printable Vinyl Sticker Paper Glossy Printable Vinyl Sticker Paper(100 g/140 g) Matte Printable Vinyl Sticker Paper(100 g/140 g) Translucent Printable Vinyl Sticker Paper Kraft Printable Vinyl Sticker Paper	
	Paper Glossy Photo Paper(180 g) Heat Transfer Paper for Light Fabric Heat Transfer Paper for Dark Fabric Sublimation Paper(105 g/120 g) Cardstock Paper (80 g/120 g/160 g/180 g/230 g/300 g/350 g) Kraft Cardstock Paper (80 g/120 g/150 g/230 g) Glitter Cardstock (300 g) Watercolor Paper (230 g/300 g/450 g) Basics Printer Paper (A4)	
	Mylar Stencil Sheet (0.1 mm/0.15 mm/0.2 mm/0.25mm)	
	Felt Sheet (1.0 mm)	
	Rhinestone Template (0.6 mm)	
	Faux leather(0.4mm/0.5mm/1.0mm/1.2mm)	
	Fine Glitter Leather (0.5mm)	
	Chunky Glitter Leather (0.6mm)	

Tools	Materials		Cutting Parameters
 <p>Deep-point Blade (Not Include in the Box)</p>	<p>Shrink Plastic Sheet (0.15 mm/0.2 mm/0.3mm)</p> <hr/> <p>Faux Thick leather (1.5mm)</p> <hr/> <p>PVC Template (0.25 mm/0.3 mm/0.4 mm/0.5 mm)</p> <hr/> <p>EVA Foam Board (1.0 mm/2.0 mm)</p> <hr/> <p>Magnetic Sheet (0.5 mm/1.0 mm)</p>		<p>You can find the corresponding cutting parameters in LOKLiK IdeaStudio™.</p>
 <p>Foil Transfer Tip (Not Include in the Box)</p>	<p>Foil Style</p>	<p>Foil sheet+paper</p>	
 <p>Pen</p>	<p>Paper</p>	<p>Cardstock Paper (80 g/120 g/160 g/180 g/230 g/300 g/350 g) Kraft Cardstock Paper (80 g/120 g/150 g/230 g) Glitter Cardstock (300 g) Shimmer Cardstock (250g) Basics Printer Paper (A4)</p>	
 <p>Scoring Stylus (Not Include in the Box)</p>			